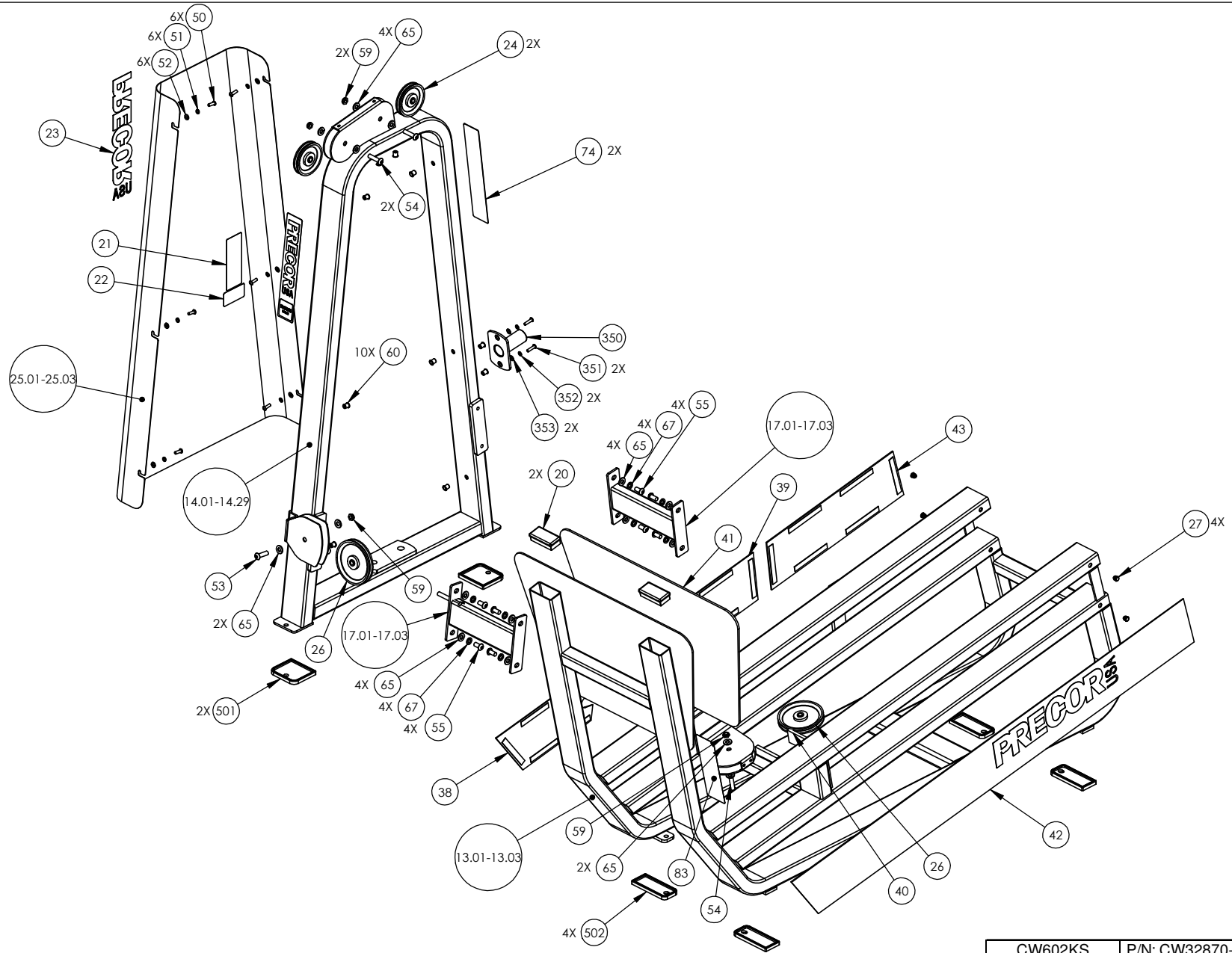
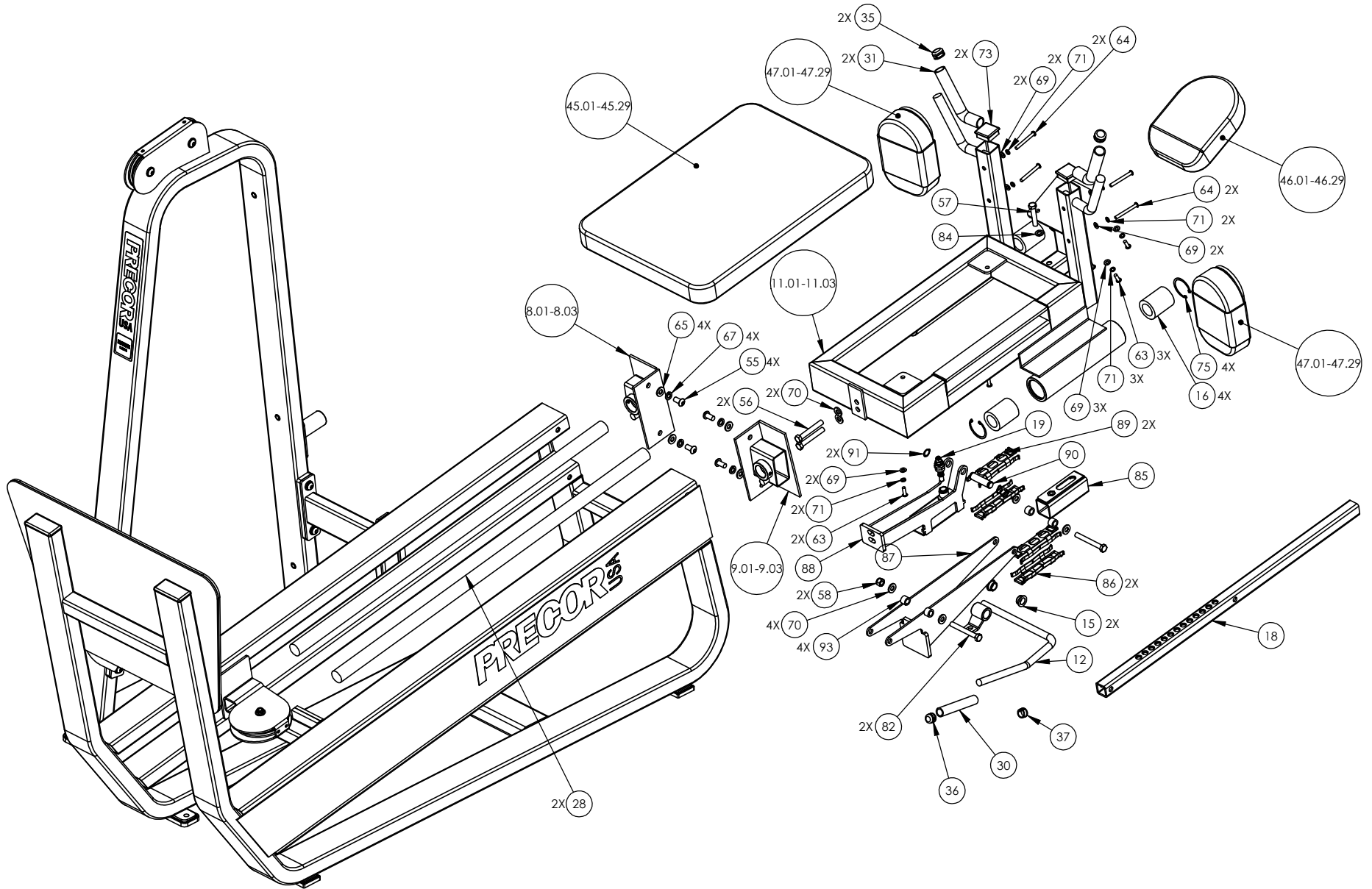


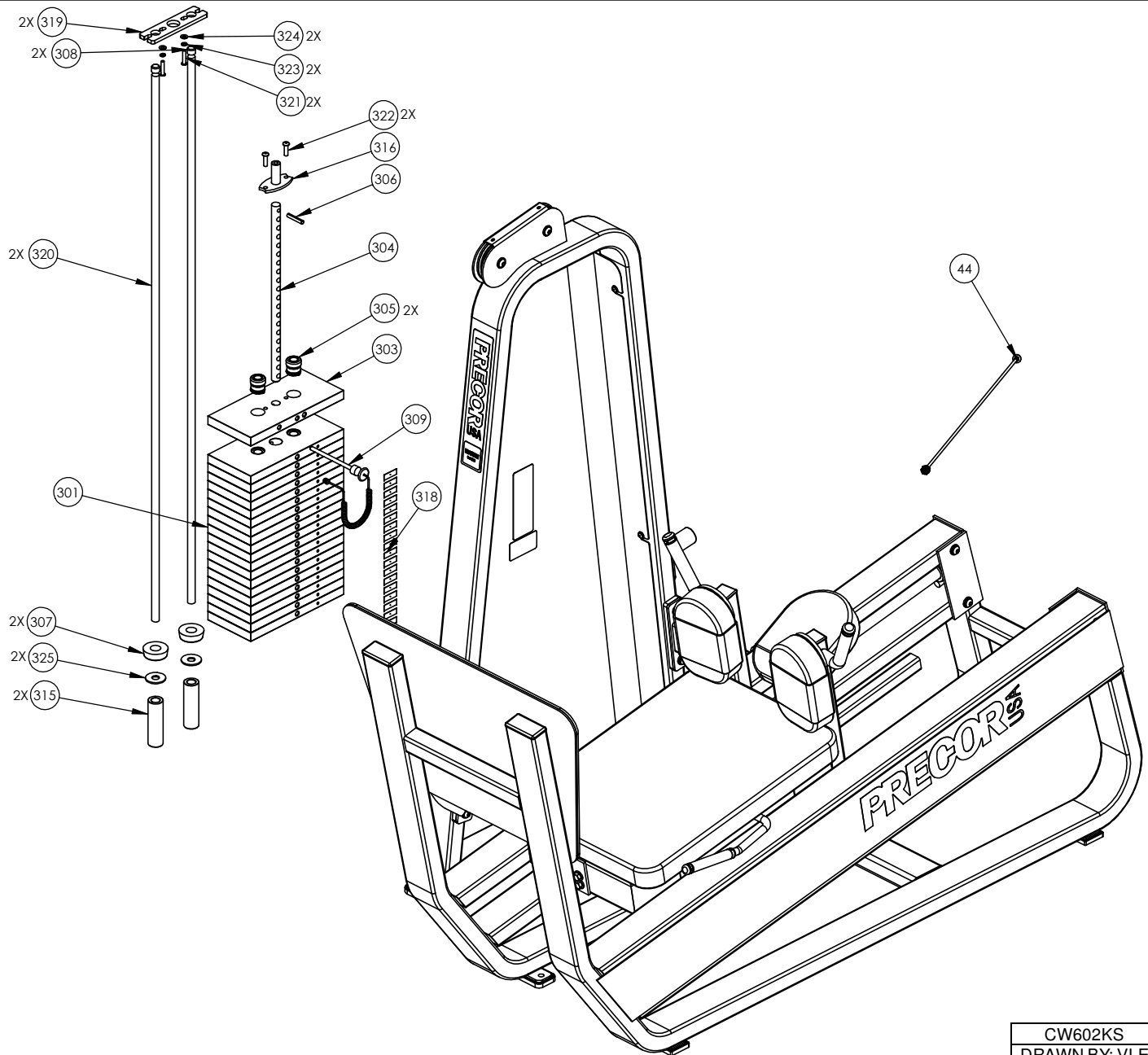
CW602KS	P/N: CW32870-101	SUBREV: C
DRAWN BY: VLE	DATE: 09.22.08	SHEET 1 OF 4



CW602KS	P/N: CW32870-101	SUBREV: C
DRAWN BY: VLE	DATE: 09.22.08	SHEET 2 OF 4



CW602KS	P/N: CW32870-101	SUBREV: C
DRAWN BY: VLE	DATE: 09.22.08	SHEET 3 OF 4



CW602KS	P/N: CW32870-101	SUBREV: C
DRAWN BY: VLE	DATE: 09.22.08	SHEET 4 OF 4

## 602KS Leg Sled Horizontal

Part Number	Description	Bubble Number
CW602SA8-211	ASSY,SHAFT SUPPORT RIGHT,602,SKY WH	8.01
CW602SA9-211	ASSY,SHAFT SUPPORT LEFT,602,SKY WHI	9.01
CW602SA9-321	ASSY,SHAFT SUPPORT LEFT,602,TITANIU	9.03
CW30562-211	WELDMENT, CARRIAGE,PRONE,602,SKY WH	11.01
CW30562-301	WELDMENT, CARRIAGE,PRONE,602,CUSTOM	11.02
CW30562-321	WELDMENT, CARRIAGE,PRONE,602,TITANI	11.03
CW33499-721	ASSY, RELEASE LEVER	12
CW33232-211	ASSY, FRAME, MAIN, CW602KS, SKY WHI	13.01
CW33232-301	ASSY, FRAME, MAIN, CW602KS, CUSTOM	13.02
CW33232-321	ASSY, FRAME, MAIN, CW602KS, TITANIU	13.03
CW33231-211	ASSY, A-FRAME,CW602KS & CW602BKS, S	14.01
CW33231-301	ASSY, A-FRAME, CW602BKS, CUSTOM	14.02
CW33231-321	ASSY, A-FRAME, CW602BKS, TITANIUM (	14.03
CW10433-109	BUSHING,FLNGD,1ODX.75IDX.5,IGUS R	15
CW12571-102	LINEAR BEARING, CLOSED TYPE, 1.500/	16
CW33229-211	WELDMENT, 12" FRAME CROSS BRACE, SK	17.01
CW33229-301	WELDMENT, 12" FRAME CROSS BRACE, CU	17.02
CW33229-321	WELDMENT, 12" FRAME CROSS BRACE, TI	17.03
CW33507-711	TUBE, STEEL, HRPO, [1.50 X 1.50 X .	18
CW30503-732	ASSY, POP PIN, BROACHED, 0.445 DIA	19
CW11311-102	ENDCAP, REC TUBE, 2X4, BLK PLASTIC	20
CW30010-102	LABEL,WARNING STRENGTH	21
CW30011-102	LABEL,WARNING WEIGHT STACK	22
CWAC1009-101	PULLEY, 4 1/2 DIA X 1/2 ID	24
CW32100-211	ASSY, SHROUD, #6, SKY WHITE	25.01
CW32100-301	ASSY, SHROUD, #6, CUSTOM	25.02
CW32100-321	ASSY, SHROUD, #6, TITANIUM HG	25.03
CWAC1010-101	PULLEY, 6 DIA X 1/2 ID	26
CW11382-105	CAP, TUBE, PLASTIC, ROUND, CCF-5/8-	27
CWPF3501-901	GUIDE ROD,STEEL,OD 1.5 X 48.5 CASE	28
CWGR4803-750	GRIP, RUBBER, .75" OD HANDLE, 3.75"	30
CWGR4608-125	GRIP, RUBBER, 1.00" OD HANDLE, 8.13	31
CWAC218-901	HANDLE END CAP W/SET SCREWS, DIA 1"	35
CWAC220-901	HANDLE END CAP W/SET SCREWS, DIA 3/	36
CWAC233-902	HANDLE RETAINER RING W/SET SCREWS,	37
CW33582-101	ASSY, ABS BLACK, CUT PIECE, .13 X 7	38
CW33580-101	ASSY, ABS BLACK,CUT PIECE, .13 X 7.	39
CW30505-103	CUT PIECE, CREPE, 1/4 THICK, 33.31	41
CW33579-101	ASSY, ABS BLACK, CT PCE, .13 X 7.50	42
CW33581-101	ASSY, ABS BLACK, CUT PIECE, .13 X 7	43
CWCLGH143-000	ASSY, CABLE, CW602KS	44
CWPD1109A-101	PAD,BACK,20X27-3/4,4HLS,BLACK	45.01
CWPD1301B-101	PAD,8X10.75,3HOLES,W/BP,BLACK	46.01
CWPD1302J-101	PAD,6X9.75,,4HL,BLACK,W/SLIP	47.01
CWTAYN031-100	SCREW, BUTTON HEAD, BLK XYLAN, 5/16	50
CWWALYN031-008	WASHER, SPLIT, 5/16 ID, BL	51
CWWBKN031-007	WASHER, FLAT, TYPE A, SAE, 5/16 ID	52
CWTAYN050-175	SCREW, BUTTON HEAD, BLK XYLAN, 1/2	53

CWTAYN050-200	SCREW, BUTTON HEAD, BLK XYLAN, 1/2	54
CWTAYN050-100	SCREW, BUTTON HEAD, BLK XYLAN, 1/2	55
CWHCYN050-350	SCREW, HEX HEAD, BLK XYLAN, 1/2-13	56
CWKDYN050-059	LOCKNUT, NYLON INSERT, FULL, UNC, 1	58
CWKAYN050-031	LOCKNUT, NYLON INSERT, HALF, UNC, 1	59
CW12537-109	NUT,INSERT,THIN-NUT,LARGE FLANGE	60
CWTAYN031-100	SCREW, BUTTON HEAD, BLK XYLAN, 5/16	63
CWTAYN031-300	SCREW, BUTTON HEAD, BLK XYLAN, 5/16	64
CWWBKN050-010	WASHER, FLAT, TYPE A, SAE, 1/2 ID X	65
CWEANN038-038	SCREW,SET,SCKT,CUP POINT,3/8-16X3/8	66
CWWALYN050-013	WASHER, SPLIT, 1/2 ID, BLK XYLAN	67
CWHCYN050-200	SCREW, HEX HEAD, BLK XYLAN, 1/2-13	68
CWWBKN031-007	WASHER, FLAT, TYPE A, SAE, 5/16 ID	69
CWWBKN050-010	WASHER, FLAT, TYPE A, SAE, 1/2 ID X	70
CWWALYN031-008	WASHER, SPLIT, 5/16 ID, BL	71
CWKPYN050-031	NUT, HEX THIN, UNC, 1/2-13, BLK XYL	72
CW11311-103	ENDCAP, REC TUBE, 2X2, BLK PLASTIC	73
CW31756-101	LABEL, PRECOR USA ICARIAN LINE	74
CWACHN238-008	SNAP RING RETAINER,(SUPER 24)	75
CWHCYN050-400	SCREW, HEX HEAD, BLK XYLAN, 1/2-13	82
CW30044-102	LABEL,INSTRUCTION,602	83
CWWALYN050-013	WASHER, SPLIT, 1/2 ID, BLK XYLAN	84
CW33451-721	ASSY, REAR SLIDER	85
CW33626-901	GUIDE, THIN, TELESCOPING TUBE	86
CW33605-721	ASSY, STOP, 602KS	87
CW33630-721	WELDMENT, FRONT SLIDER, WRKL BLK	88
CW33626-902	GUIDE, THCK, TELESCOPING TUBE	89
CW33623-741	PIN PIVOT	90
CWAAHN075-004	RING,RETAINING,3/4,EXT	91
CW33624-741	TUBE, STEEL, RND DIA. 0.875	93
CWAC1133-101	BUSHING, WEIGHT PLATE, LDPE PLASTIC	203
CW10519-721	PLATE, WEIGHT, 20 LBS, WRKL BLK	279
CW10520-721	ASSY, PLATE, WEIGHT, 20 LBS, WRKL B	301
CW10570-722	PLATE, WEIGHT, LARGE TOP (LTP-S),	303
CW30132-712	SELECTOR STEM, 20 PLATE,0.875 DIA,	304
CW30184-901	ASSY,BARREL,TOP PLATE,ALUMINUM,SHRT	305
CWLDNN038-200	SLOTTED PIN SPRING, DIA 3/8 X 2	306
CW12402-101	BUMPER, ID 1.050, BLK RUBBER	307
CW12404-101	CAP, GUIDE ROD,DIA 3/4, BLK	308
CW33870-102	ASSEMBLY, 5" WEIGHT STACK PIN & LEA	309
CW33323-721	STACK RISER, 5 INCH, WRINKLE BLACK	315
CW32663-741	WELDMENT, BOLT ON TOP PLATE MINI ST	316
CWPF1016-732	BAR,,FLAT CR/HR, 3/8 X 2 X 8 1/4, 3	319
CWPF1216-711	GUIDE ROD,3/4 X (62 5/8), (#6), CHM	320
CWTAYN031-150	SCREW, BUTTON HEAD, BLK XYLAN, 5/16	321
CWTAYN038-125	SCREW, BUTTON HEAD, BLK XYLAN, 3/8	322
CWWALYN031-008	WASHER, SPLIT, 5/16 ID, BL	323
CWWBKN031-007	WASHER, FLAT, TYPE A, SAE, 5/16 ID	324
CWWCKN075-015	WASHER, FLAT, TYPE A, WIDE, 3/4 ID	325
CW31772-741	ASSY, ADD-ON WEIGHT HORN, CLEAR ZIN	350
CWTAYN031-150	SCREW, BUTTON HEAD, BLK XYLAN, 5/16	351
CWWALYN031-008	WASHER, SPLIT, 5/16 ID, BL	352

CWWBKN031-007	WASHER, FLAT, TYPE A, SAE, 5/16 ID	353
CWAC1177-101	FLOOR PROTECTOR, RUBBER, 4.563 X 4.	501
CWAC1178-101	FLOOR PROTECTOR, RUBBER, 2.563 X 6.	502